

POMPE A PISTONI
PISTON PUMPS

2

Piston pumps / Series FOX / FOX 12-25

FOX

CODICE DI ORDINAZIONE / ORDERING CODE

201 **FX** 025 **D** **SE**
S

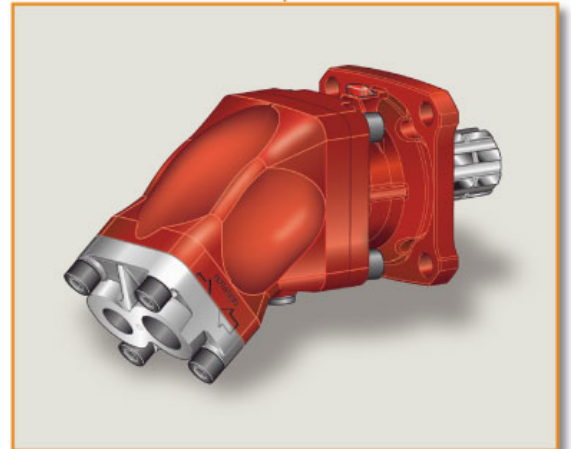
TIPO/TYPE
 CILINDRATA/DISPLACEMENT
 ROTAZIONE/ROTATION
 D = DESTRO/CLOCKWISE
 S = SINISTRO/ANTICLOCKWISE

00 = 21 UNI 222
 SE = DIN 5462

POMPA A PISTONI/PISTON PUMP

DIN FOX 12
5 4 6 2 FOX 16
SE FOX 25

Pompa a Pistoni
Piston Pump



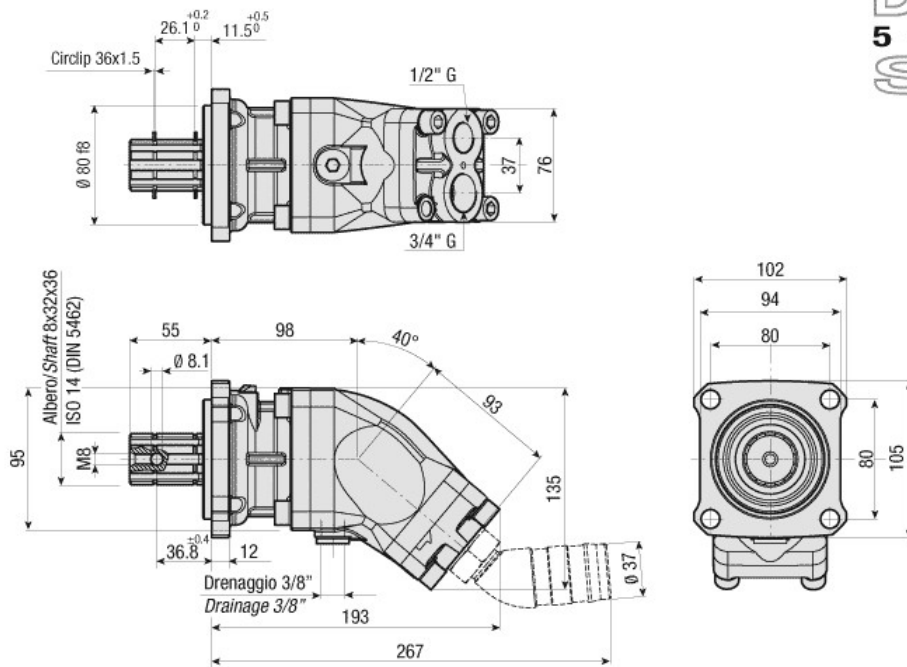
Piston Pump
Bent-axis MONODIRECTIONAL

SPECIFICATIONS AND TECHNICAL DATA

TYPE	DISPLACEMENT cm ³	MAX CONTINUOUS OPERATING PRESSURE bar	MAX PEAK PRESSURE (P<= 0.1S) bar	MAX INTERMITTENT SPEED (P<=20 BAR) n/min r.p.m.	MAX CONTINUOUS SPEED (<=P1) n/min r.p.m.	MIN INTERMITTENT SPEED (<=P2X0.5) (MAX 30S) n/min r.p.m.
FOX 12	201FX012DSE	450	500	3000	2300	300
	201FX012SSE					
FOX 16	201FX016DSE	450	500	3000	2300	300
	201FX016SSE					
FOX 25	201FX025DSE	450	500	3000	2300	300
	201FX025SSE					

DIMENSIONI / DIMENSIONS

DIN
5 4 6 2
SE



TYPE	CODE	INLET PRESSURE (ABSOLUTE) bar	OPERATING VISCOSITY RANGE cST	OPTIMAL VISCOSITY RANGE cST	MAX VISCOSITY AT START-UP cST	FLUID TEMPERATURE °C
FOX 12	201FX012DSE	0,7 ÷ 1,5	9 ÷ 75	15 ÷ 46	1000	-25 ÷ 80
	201FX012SSE					
FOX 16	201FX016DSE	0,7 ÷ 1,5	9 ÷ 75	15 ÷ 46	1000	-25 ÷ 80
	201FX016SSE					
FOX 25	201FX025DSE	0,7 ÷ 1,5	9 ÷ 75	15 ÷ 46	1000	-25 ÷ 80
	201FX025SSE					